



User's Manual

Benchwheel Important Information Guide

1.

This user's manual contains safety caution, operating instructions and warranty.

Download this user's manual and other introduction files on www.benchwheel.com

2.

Safety and Warnings

- At any time driving, it is possible to lose balance and cause a collision or fall. You must learn how to drive safely to avoid danger while driving.
- Please wear protective equipment before using the B-board, such as a helmet, elbow pads, knee pads. Please wear suitable clothes for sports.
- It is for the groups more than 13 years old and weight below 120kg/260lbs. Children under 14 years old could try to drive only accompanied by parents.
- Please drive in appropriate places obiding the local laws and regulations strictly.
- As it is designed for people of safe driving ability, plesae put it in safe palce where litle children (age under 8) cannot touch it.
- Do not touch motors while driving or just stopped to prevent burn.
- Drive carefully. Keep the safe distance with other people and object while driving. Obstacles may cause it a sharp turn or out of control.
- It is just for single person to drive.
- Please drive on the flat and open ground.Do not drive on slippery ground, such as snow, ice or wet ground. Prevent slipping when driving.
- Do not drive beside water or steps. Damage caused by wading are not covered under warranty.
- Please pay attention to driving. Do not do other operations, such as

3.

phone, listen to the music and so on.

- Do not drive at night or poor vision.
- Check the Hardware

Wheels: Inspect the wheels for excess wear and replace if necessary.

Battery: Always make sure the power is in the “off” position whenever the skateboard is not in use. Never store the product in freezing or below freezing temperatures. Those low temperatures will permanently damage the battery.

Remote: Check if the remote needs charging.

Repair help: If there are accessories need exchange or repair, please connect with authorized dealers.

4.

Specification

Complete Skateboard	Net weight	7.9kg
	Product size	920 X 150 X 280mm
	Package	960 X 200 X 310mm
Deck	Material	3 layer bamboo 2 layer fiber glass
	Size	920 X 233 X 14mm
Battery Pack	Capacity Type	8.8Ah
	Type	Lithium-Ion
	Weight	1320g
	Charge Time	2hours
Motor Pack	Rechargeable	1000 times
	Type	Brushless direct current
	Power	1800w Dual motor
Wheel	Material	high performance PU
	Dimensions	80mm X 45mm
	Hardness	78a
Wireless Remote Controller	Capacity	800mA
	Type	Lithium-Ion
	Charge Time	1.5 hours

Feedback to online@benwheel.com or call 0571-81966560 if you have any problems.

5.

How to charge

- Use original power adapter to charge.
- B-board: Insert charger into charging port. It is full charged when the indicator of charger turn from red to green after generally 2 hours.
- Remote: insert charger into charging port. It generally takes 1.5 hours to finish charging. When charging, indicator ③ ④ ⑤ ⑥ ⑦ indicate battery capacity of skateboard. It is fully charged when indicator ③ keeps on while indicator ④ ⑤ ⑥ ⑦ are not bright.

Battery Charging

- Turn off the power to charge.
- Charging environment should keep clean and dry.
- When the charge port is wet, do not charge.
- Please use the special charger to charge skateboard which supply by our company.
- Do not overcharge.
- Fully charge skateboard every three months if it is left unused.
- Regularly check if charger and plug work well. It will fail to charge if they damaged.

6.

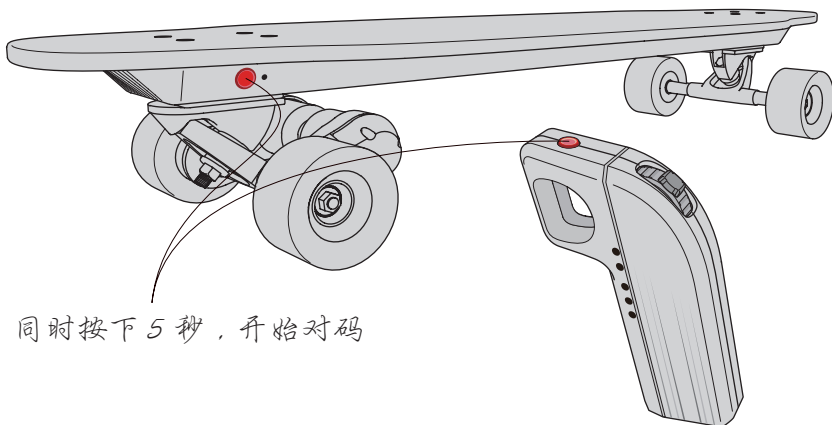
Preparation

Check the following items before you get out

- Check if the remote and motor runs well.
- Inspect the wheels for excess wear and replace if necessary.
- Check if nuts and screws are tight.
- Any other problems please consult dealer or manufacturer.

● Match code

- It needs to match code if remote is changed. Power off both B-board and remote, press ON/OFF switch both for 5 seconds in the meantime. Beep of the remote after the 5 seconds indicates the start of matching code, and another beep later means it succeed to match code. Restart both remote and skateboard to drive.



同时按下 5 秒，开始对码

7.

Any other problems?

Issue	Possible Reasons/	Solution
Failed to starting up	Battery runs out	skateboard: Please charge immediately. It generally takes 2 hours. Remote: Please charge immediately. It generally takes 1.5 hours.
Cruise duration gets shorter	Battery are not fully charged	Please fully charge the battery. It generally takes 2 hours.
Battery doesn't accept charge	Plug gets lose	Make sure power flow to the wall outlet is on.
	Socket is not available	Check if the socket is available.
	Battery need to be replaced	The average of rechargeable battery life is 1 to 2 years depending on condition and use. Replace only with B-board replacement batteries.
B-board doesn't run	Indicator ③ or ④ flashing on remote controller indicates no connection to skateboard.	Start up skateboard.
	Indicator ③ and ④ flashing on remote controller indicates a fault in skateboard.	Restart B-board and remote controller. If indicator ③ and ④ still flash, please turn off them and consult dealer or manufacturer.

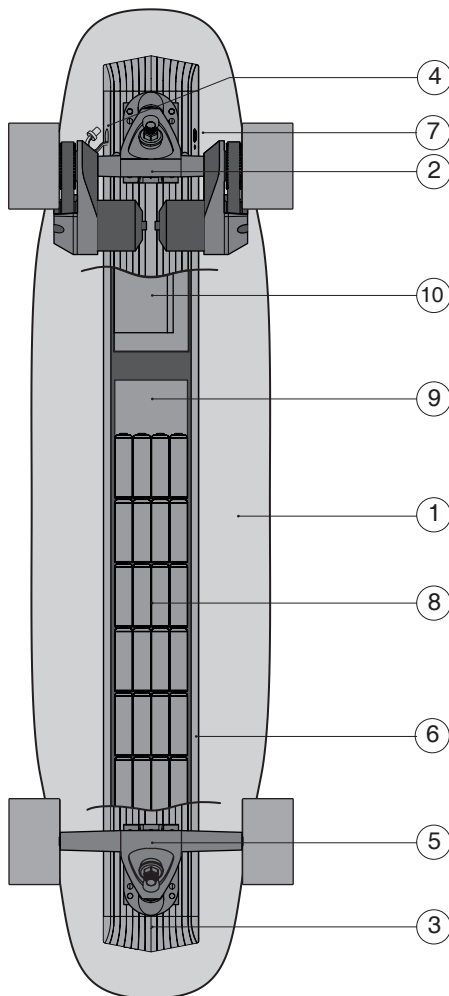
8.

Any other problems?

B-board doesn't run	Indicator on skateboard flashing(not match code) indicates a fault in skateboard.	Please consult dealer or manufacturer.
	A flashing indicator ⑦ indicates a low battery capacity.	Please charge immediately.
	When indicator ⑦ shines like a breathing light(slowly shines and slowly fades), it indicates a low battery capacity of remote controller.	Please charge immediately.
Auto power-off	Battery runs out.	Please charge immediately.
	It will auto power-off without any operation on skateboard and remote in 20 minutes.	Start it up.

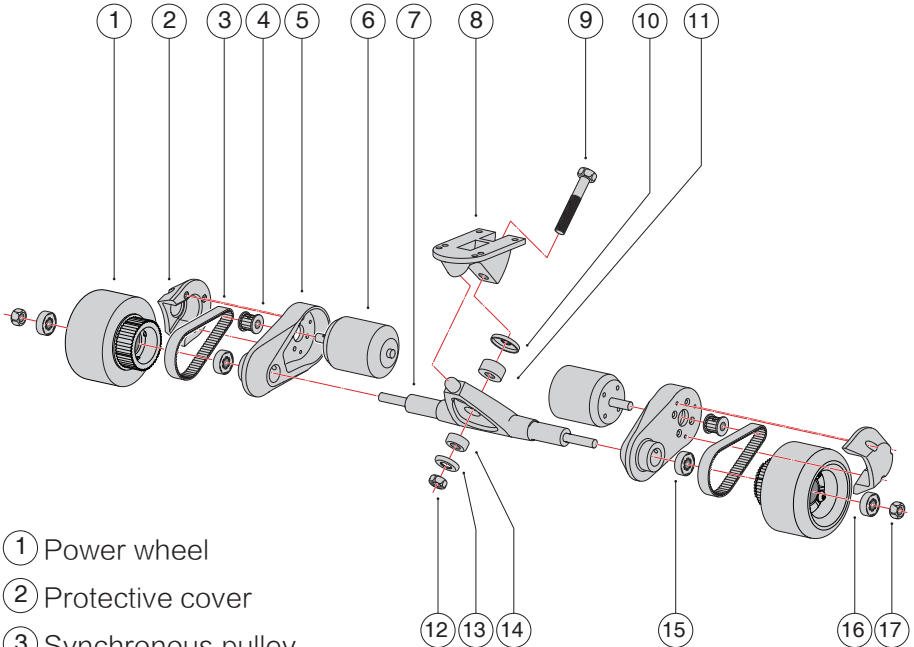
Schematic Diagram

- ① Deck
- ② Power truck set
- ③ Plug
- ④ Charging port
- ⑤ Unpowered truck set
- ⑥ Aluminum case
- ⑦ Power switch
- ⑧ Lithium-Ion Battery pack
- ⑨ Battery protection module
- ⑩ Controller kit



10.

Schematic Diagram of Power Truck Set



① Power wheel

② Protective cover

③ Synchronous pulley

④ Synchronous wheel

⑤ Motor holder

⑥ Brushless direct current motor

⑦ Truck

⑧ Holder

⑨ Bolt

⑩ Spring collar

⑪ Spring washer

⑫ Nut

⑬ Spring collar

⑭ Spring washer

⑮ Bearing

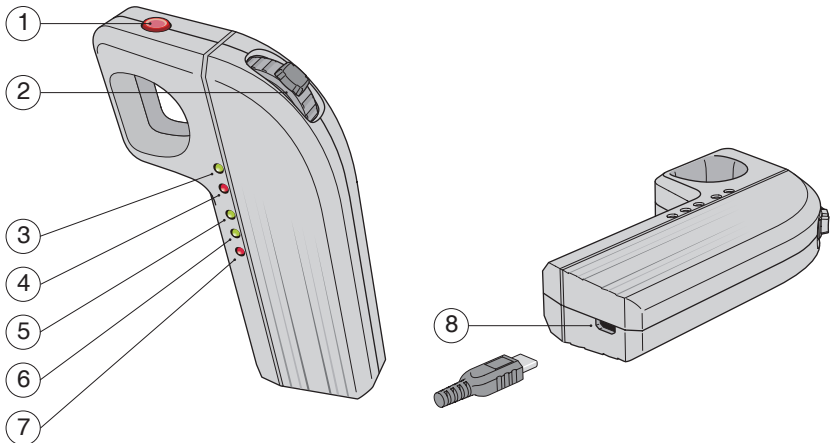
⑯ Bearing

⑰ Nut

11.

Schematic Diagram of Remote

- ① ON/OFF
- ② Joystick
- ③ Speed indicator light(cruise mode)
- ④ Speed indicator light(sport mode)
- ⑤ Skateboard battery indicator light(full power)
- ⑥ Skateboard battery indicator light
- ⑦ Skateboard battery indicator light(low power)
- ⑧ Charging port



Service Terms and Warranty

Please consult local dealer for service terms and warranty.



BENCHWHEEL Shop Online in Taobao

Quick Start Guide

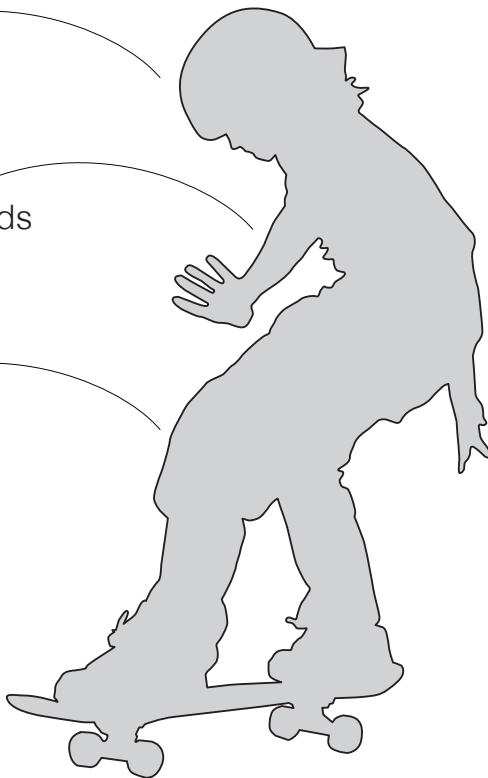
BCHWHEEL Electric Skatebaord

1. 准备工作

Safety Helmet

Elbow Pads

Knee Pads



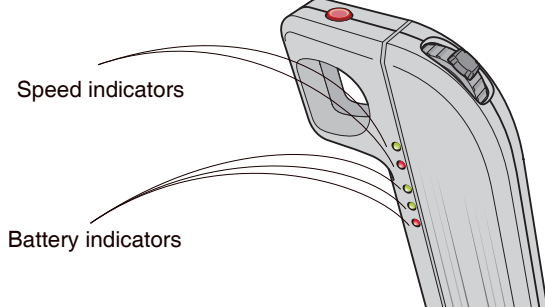
Wear safety gear and read this paper carefully before driving.



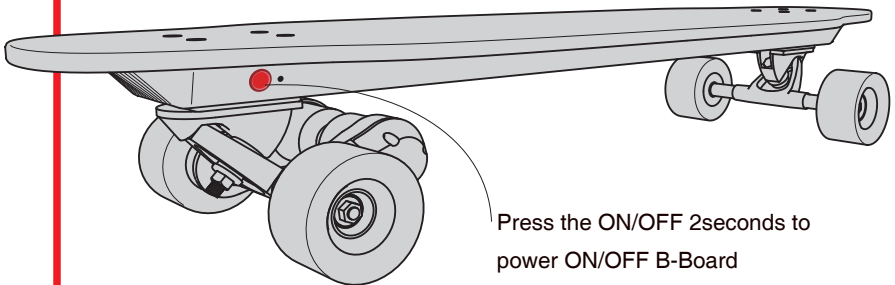
In low battery state, it will automatically switch to low speed mode.
No high speed and high acceleration in low battery status.

2. Power on/off

Press the ON/OFF 2seconds to power ON/OFF the remote controller



All indicators keep on in the normal state.
If there is an indicator flashing,
please seek solution in user's manual.

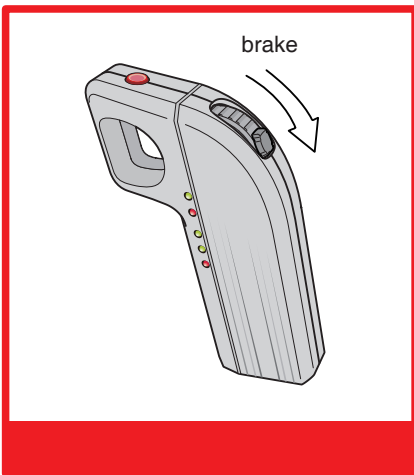
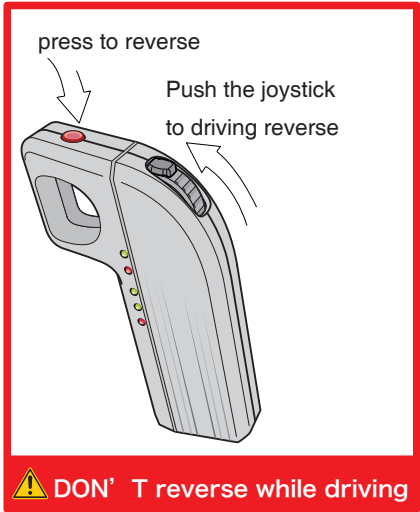
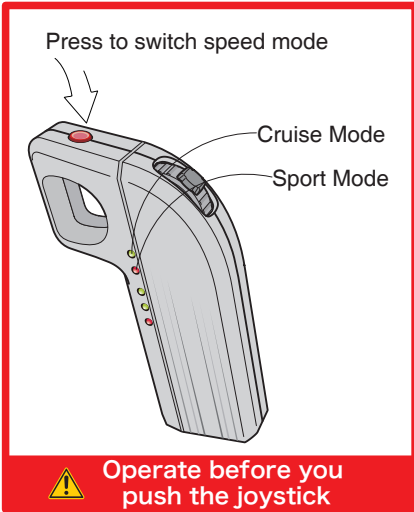


Press the ON/OFF 2seconds to power ON/OFF B-Board

All indicators keep on in the normal state.
If there is an indicator flashing,
please seek solution in user's manual.



3. Drive, Brake & Reverse





Hangzhou Bench Technology Co.,Ltd

ADD: 368 Liuhe Rd. Binjiang District Hangzhou

TEL: 0571 8196 6560

FAX: 0571 8196 6560

WEB: www.benchwheel.com

STORE: benchwheel.taobao.com

BENCHWHEEL reserve the right to explain the terms of the manual.